

**產品特性**


- ※寬電壓輸入 90~305VAC
- ※通過防水防塵等級 IP65
- ※採用 LM80 等級燈珠 OSRAM/Philips/Nichia SMD 3030 LED
- ※高效率高流明輸出
- ※使用鋼化玻璃和 93%高透光率
- ※使用純鋁散熱器，最佳化散熱管理設計
- ※LED 壽命 30,000 小時
- ※ 3 年保固

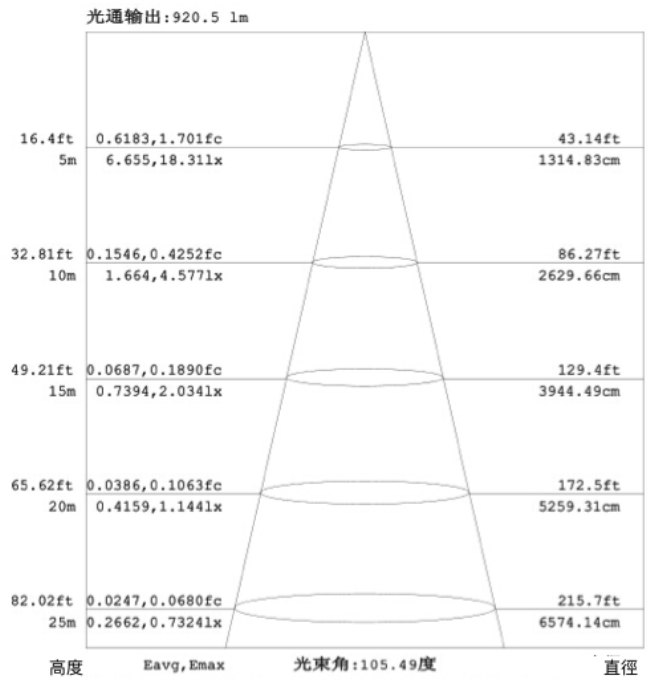
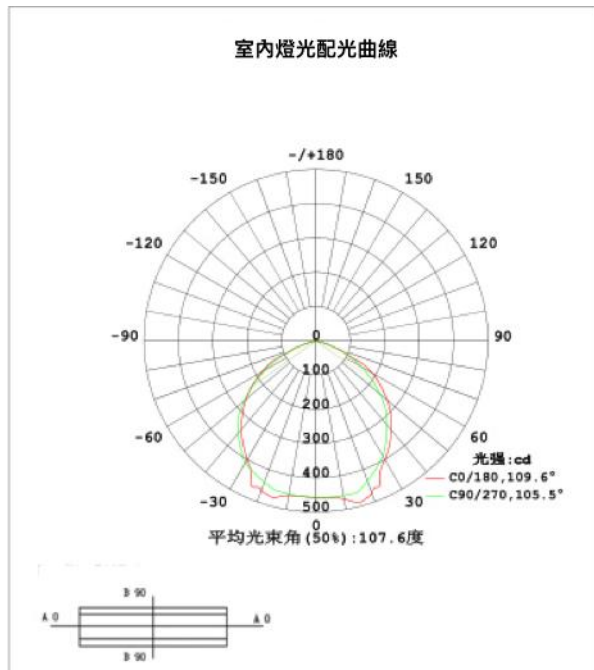

**※產品規格**

Power 功率	100W
Input Voltage 輸入電壓	90-305VAC 127-431VDC
Frequency Range 頻率範圍	47~63Hz
Power Factor(Typ.)功率因數	PF>0.98/115VAC PF>0.95/230VAC PF>0.93/277VAC
LED Brand LED 品牌	LM80 Rated OSRAM/Philips/Nichia 3030
LED Quantity LED 數量	200PCS
System Consumption 系統功耗	100±3W
LED Luminous Efficiency LED 發光效率	120-130 Lm/W
IP Rating 防護等級	IP65
Junction Temperature LED 結溫	≤80℃
Color Temperature 色溫	4500K/5000K/5700K/6500K
lamp's Efficiency 燈具效率	>93 %
Illumination Uniformity 照度均勻度	>0.8
Color Rendering Index 演色性	Ra>80
Light Distribution 配光曲線	Symmetric/round spot 對稱式/圓形光斑
Light Design 配光方式	LED +The reflectors second light distribution LED+反光罩二次配光
Storage Temperature 儲存環境溫度	-20℃~ +60℃
Life Span 光源壽命	≥30,000Hrs(Note3)
The color of the lamp shell 燈具顏色	black 黑色
Certification	CE/ROHS
Installation solution 安裝方式	Hanging loop/Wall mounted 吊裝/牆體固定

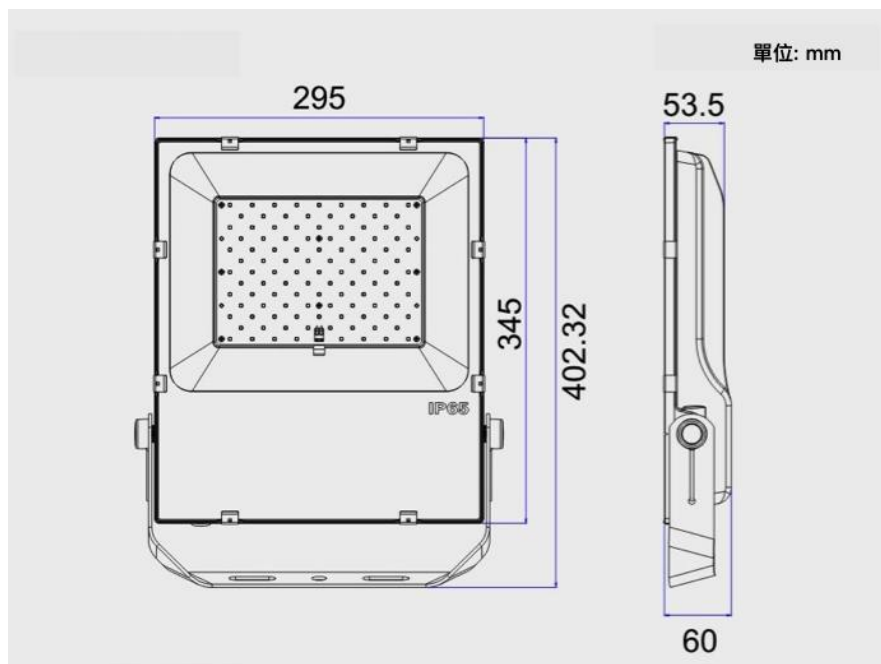
**Note:**

1. Different parameters of chip, lumens will be different.
2. Light optic with a little deviation for different color temperature LED, deviation values ≤5%.
3. Working -10~+25℃ of ambient temperature, RH10-80%, Heat dissipation is good.
4. All parameters NOT specially mentioned are measured at 230VAC input, rated load and 25℃ of ambient temperature.

光型表



外觀尺寸



Note

- ※Must be performed by qualified professionals for replacement, in order to avoid danger
- ※Guarantee the input voltage stability, power supply necessary grounding lightning protection
- ※Please mount the lamp in a dry, ventilation, clean place, and regularly clean the lamp shell and radiator